

PLEASE CHECK WWW.MOLEX.COM FOR LATEST PART INFORMATION

Part Number: [0546791629](#)
Status: **Active**
Description: 1.25mm (.049") Pitch Small MGC (Multi-Ground Connector) Panel Mount Receptacle Housing Adapter, Polarizing Key 2.00mm (.079") Right From the Center

Documents:

[3D Model](#) [Product Specification PS-54678-007 \(PDF\)](#)
[Drawing \(PDF\)](#) [RoHS Certificate of Compliance \(PDF\)](#)

General

| | |
|----------------|-----------------------|
| Product Family | Accessories |
| Series | 54679 |
| Component Type | Adapter |
| Product Name | Small MGC |

Physical

| | |
|--------------------------------|-------------------|
| Circuits (Loaded) | 16 |
| Color - Resin | Gray |
| Gender | Female |
| Material - Plating Mating | Gold |
| Material - Plating Termination | Tin |
| Material - Resin | Polyester |
| Number of Rows | 2 |
| Packaging Type | Tray |
| Plating min: Mating (µin) | 4 |
| Plating min: Mating (µm) | 0.1 |
| Plating min: Termination (µin) | 40 |
| Plating min: Termination (µm) | 2 |
| Polarized to Mating Part | Yes |
| Temperature Range - Operating | -20°C to +80°C |
| Termination Interface: Style | N/A, Through Hole |

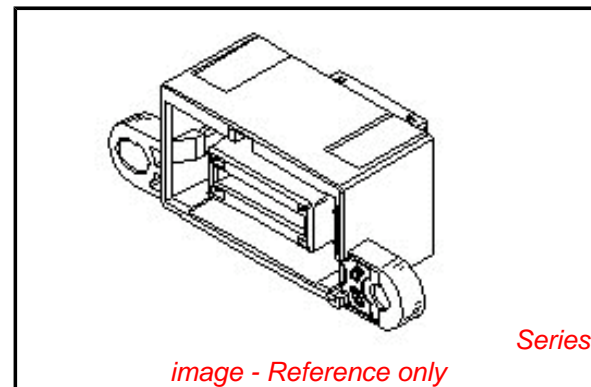
Electrical

| | |
|-------------------------------|------|
| Current - Maximum per Contact | 1.5A |
|-------------------------------|------|

Material Info

Reference - Drawing Numbers

| | |
|-----------------------|--------------|
| Product Specification | PS-54678-007 |
| Sales Drawing | SD-54679-004 |



EU RoHS

**ELV and RoHS
Compliant**
**REACH SVHC
Contains SVHC: No
Halogen-Free
Status**

China RoHS



**Need more information on product
environmental compliance?**

Email productcompliance@molex.com
For a multiple part number RoHS Certificate of Compliance, [click here](#)

Please visit the [Contact Us](#) section for any non-product compliance questions.

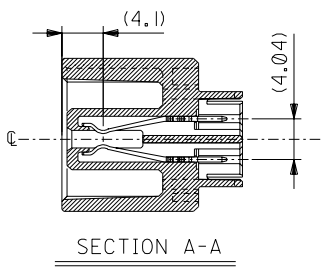
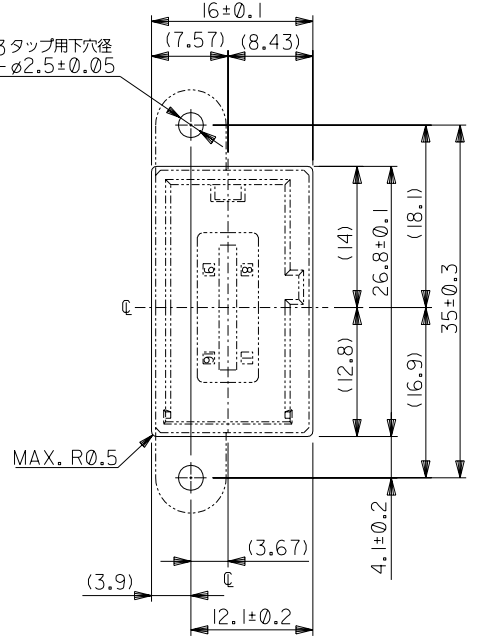
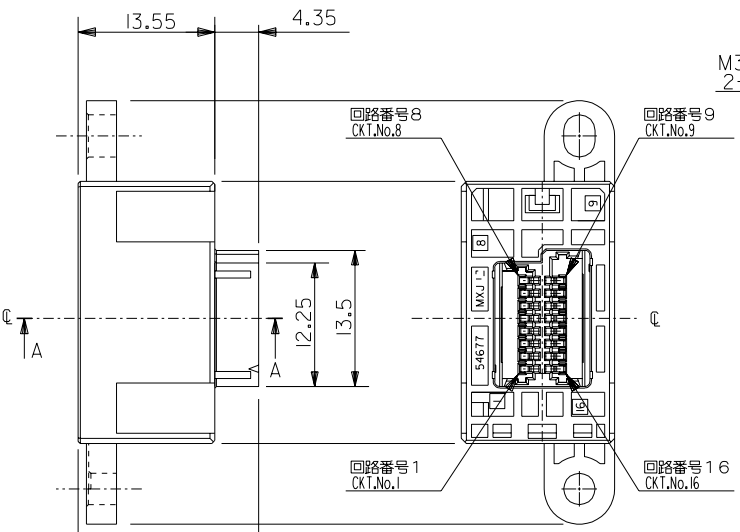
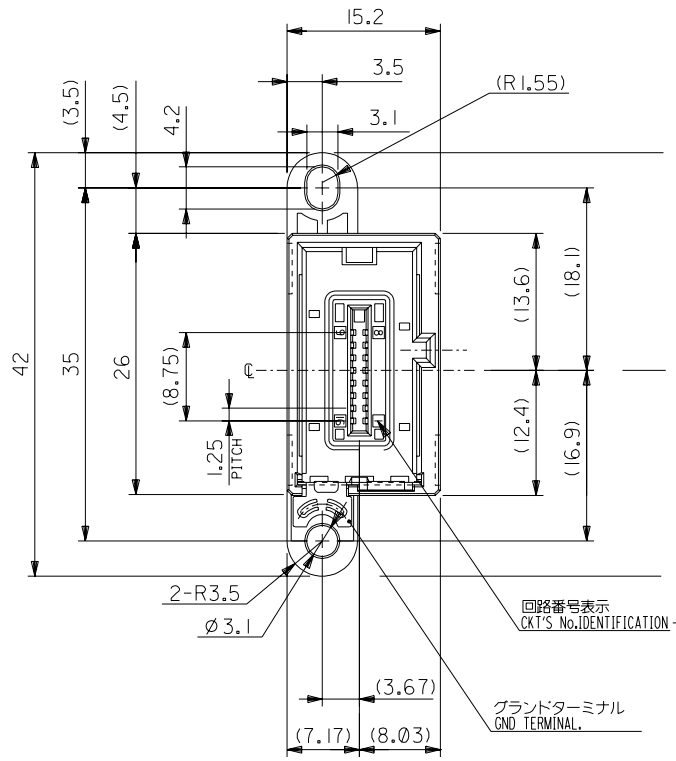
Search Parts in this Series

[54679Series](#)

Use With

[54596 Series](#)

DWG. NO.
SD-54679-004



中継取り付けブラケットパネル推奨寸法
RECOMMENDED PANEL OPENING

| | |
|--------------|------------|
| 54679-1639 | 54679-16*9 |
| 54679-1629 | |
| 54679-1619 | |
| 54679-1609 | |
| MATERIAL NO. | MODEL NO. |

DO NOT SCALE DRAWING

| | | | | | | | | | | |
|----------------------------------|----------------------------------|----------------------------------|----------------------------------|----------------------------------|--|-------------|----------------|---------------|----------------------|--------------------|
| EC NO. DRWN: CHK: APPR: | EC NO. DRWN: CHK: APPR: | EC NO. DRWN: CHK: APPR: | EC NO. DRWN: CHK: APPR: | EC NO. DRWN: CHK: APPR: | RELEASED EC NO. J2004-3693 DRWN: H.KAWABATA 04/04/08 CHK: K.TOJO 04/04/08 APPR: M.SASAO 04/04/08 | DESCRIPTION | MATERIAL 材料 | FINISH 仕上げ | WIRE RANGE 適用電線範囲 | INS. RANGE 被覆外径 |
| | | | | | | SEE NOTES | SEE NOTES | — | — | |

| | | | | | |
|---|--------------|--|---|--|---------------------|
| GENERAL TOLERANCES: (UNLESS SPECIFIED) 一般公差 | SCALE 2:1 | DESIGN UNITS <input checked="" type="checkbox"/> mm <input type="checkbox"/> INCH | THIRD ANGLE PROJECTION | DIMENSIONS: <input type="checkbox"/> mm <input type="checkbox"/> INCH <input checked="" type="checkbox"/> mm ONLY | SHT REV |
| 10 UNDER 未満 | ±0.2 | DRAWN BY & DATE H.KAWABATA 04/04/08 | TITLE: SMALL MGC PANEL MOUNT REC.HS'G ASS'Y | | |
| 10 OVER 30 UNDER 未満 | ±0.25 | CHECKED BY & DATE K.TOJO 04/04/08 | -LEAD FREE- | | |
| 30 OVER 以上 | ±0.3 | APPROVED BY & DATE M.SASAO 04/04/08 | MOLEX INCORPORATED | | |
| ANGLE 角度 | ±3° | CAD FILENAME SD-54679-004.S01 | MATERIAL NO. SEE CHART | DRAWING NO. SD-54679-004 | SHEET NO. 1 OF 2 |
| | | THIS DRAWING CONTAINS INFORMATION THAT IS PROPRIETARY TO MOLEX INCORPORATED AND SHOULD NOT BE USED WITHOUT WRITTEN PERMISSION. | | | SIZE B |

